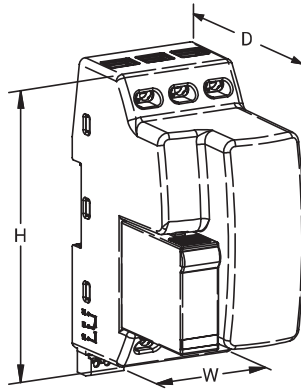
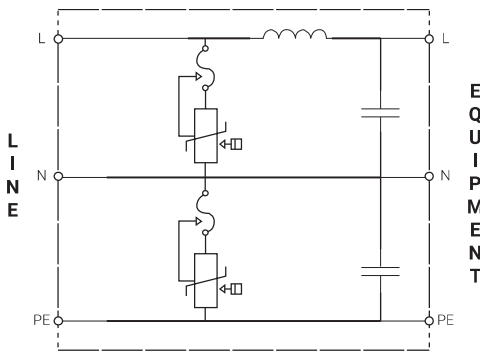


Transient Surge Filter



Features

- Compact, space saving design
- Replaceable surge module reduces down time and unprotected time during maintenance
- Compliance to the latest UL 1449 Edition 5 and IEC 61643-11 surge standards and UL 1283 Electromagnetic Interference Filters (EMI) standard
- Low let-through voltages on the critical line to neutral mode
- Transient Discriminating (TD) Technology provides increased service life
- All modes protected at 20 kA 8/20 μ s
- Form C Relay Contacts for Remote Monitoring
- Two Terminals per line



Part Number	TSF6A24V	TSF6A120V	TSF20A120V	TSF6A240V	TSF20A240V
Nominal System Voltage (Un)	24 V	120 V		240 V	
Rated Load Current (IL)	6 A		20 A	6 A	20 A
Max Continuous Operating Voltage (Uc)	30 VAC/38 VDC	170 V		275 V	
Stand-off Voltage	–	230		440	
Filtering	–65 dB @ 100 kHz		–50 dB @ 100 kHz	–65 dB @ 100 kHz	–50 dB @ 100 kHz
Frequency	0 – 100 Hz				
Max Discharge Current (Imax)	40 kA 8/20 μ s, per phase				
Voltage Protection Rating (VPR) L-N	–	330v	400v	–	–
Measured Limiting Voltage (MLV) L-N	–	–	–	620v	680v
Nominal Discharge Current (In)	3 kA 8/20 μ s, all modes				
Distribution System	1Ph 2W+G				
Connection, Solid	2.5 mm ² - 6.0 mm ² ; #14 - #10				
Connection, Stranded	2.5 mm ² - 6.0 mm ² ; #14 - #10				
Mounting	35 mm top hat DIN rail				
Status Indication	Mechanical flag				
Enclosure Material	UL [®] 94V-0 Thermoplastic				
Enclosure Rating	IP 20				
Temperature	–31 – 104°F				
Module Width	3 M				
Depth (D) x Height (H) x Width (W)	95 mm x 123 mm x 54 mm				
Unit Weight	508 grams				
Replacement Module	TSF24MDS	TSF120MTDS		TSF240MTDS	
Certifications	CE		CE, cURus, UL 1449 Ed 5, UL 1283 Ed 7		